

### REACH TABLE

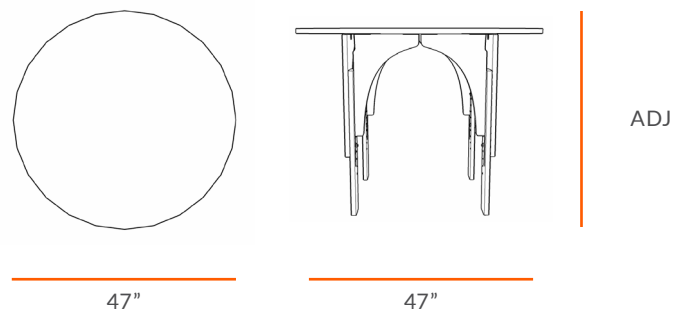


#### Description

##### Adjust Seated Table Circular in Fusion Maple

The **round** version of our **Reach Table** was created to offer variety and further soften the lines in the learning space.

Natural Pod has a large section of table sizes and configurations to suit all ages, from the early learning years, through Grades K-12 and beyond.



#### Product features

- Edges all smoothed and finished
- Floor Glides
- Adjustable tables legs

#### Materials

- Europly FSC Certified hardwood plywood (FSC R 012337)

### REACH TABLE

SMALL LEGS	13"	18"
MEDIUM LEGS	17"	24"
LARGE LEGS	25" min ht (in)	30" max ht (in)

Dimensions indicated are approximate. Please contact us if you require clarification.

